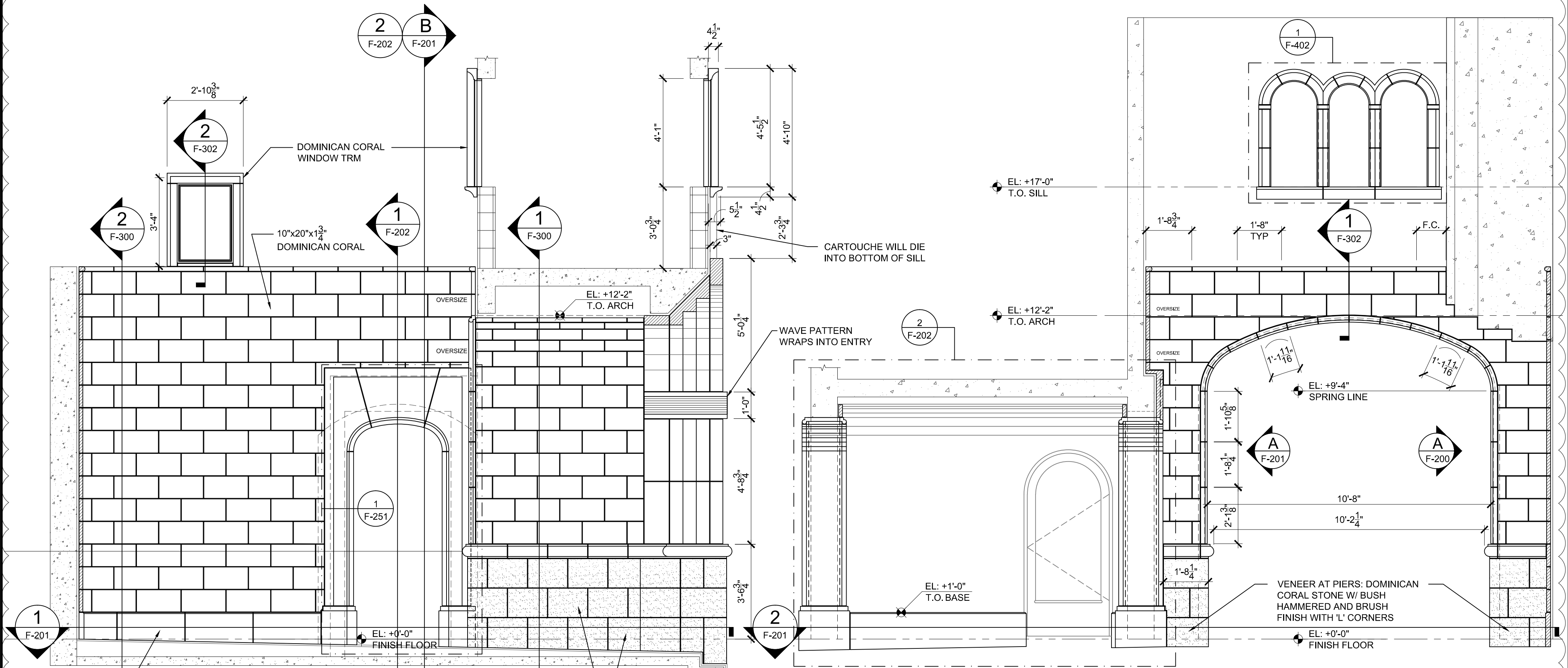
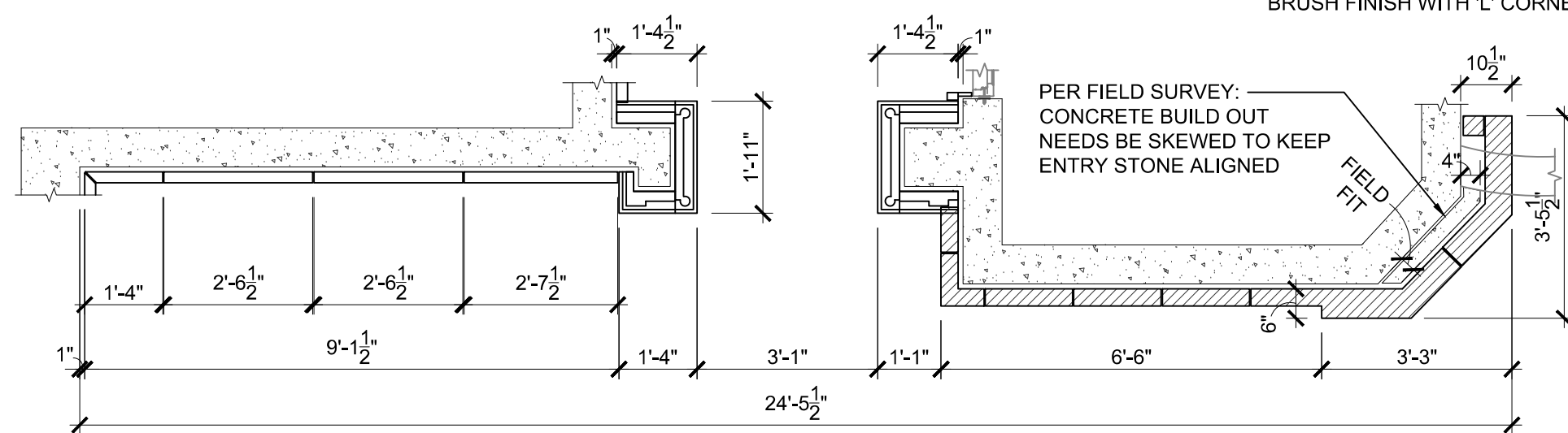


NOTE: ALL JOINTS ARE  $\frac{1}{4}$ " U.N.O.

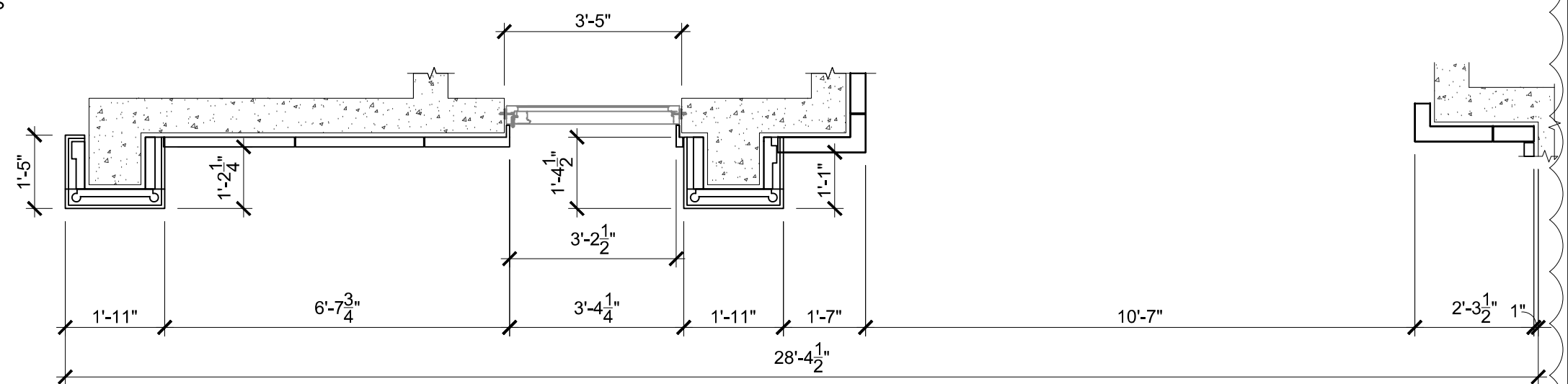


**A WALL ELEVATION: M01 CORTILE**  
F-201 SCALE: 3/8"=1'-0"

**B WALL ELEVATION: M01 CORTILE**  
F-201 SCALE: 3/8"=1'-0"



**1 PLAN VIEW: M01 CORTILE**  
F-201 SCALE: 3/8"=1'-0"



**2 PLAN VIEW: M01 CORTILE**  
F-201 SCALE: 3/8"=1'-0"