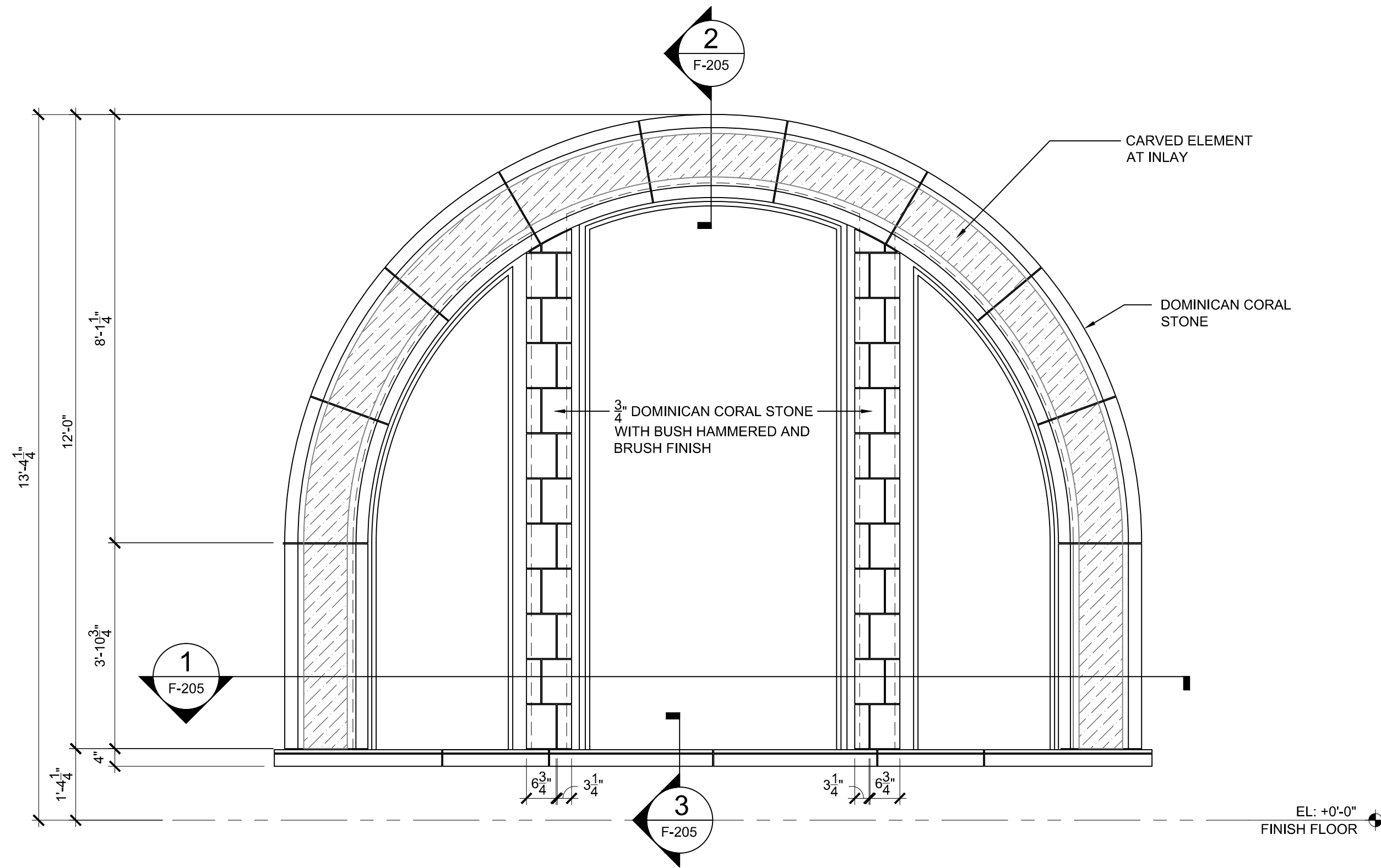
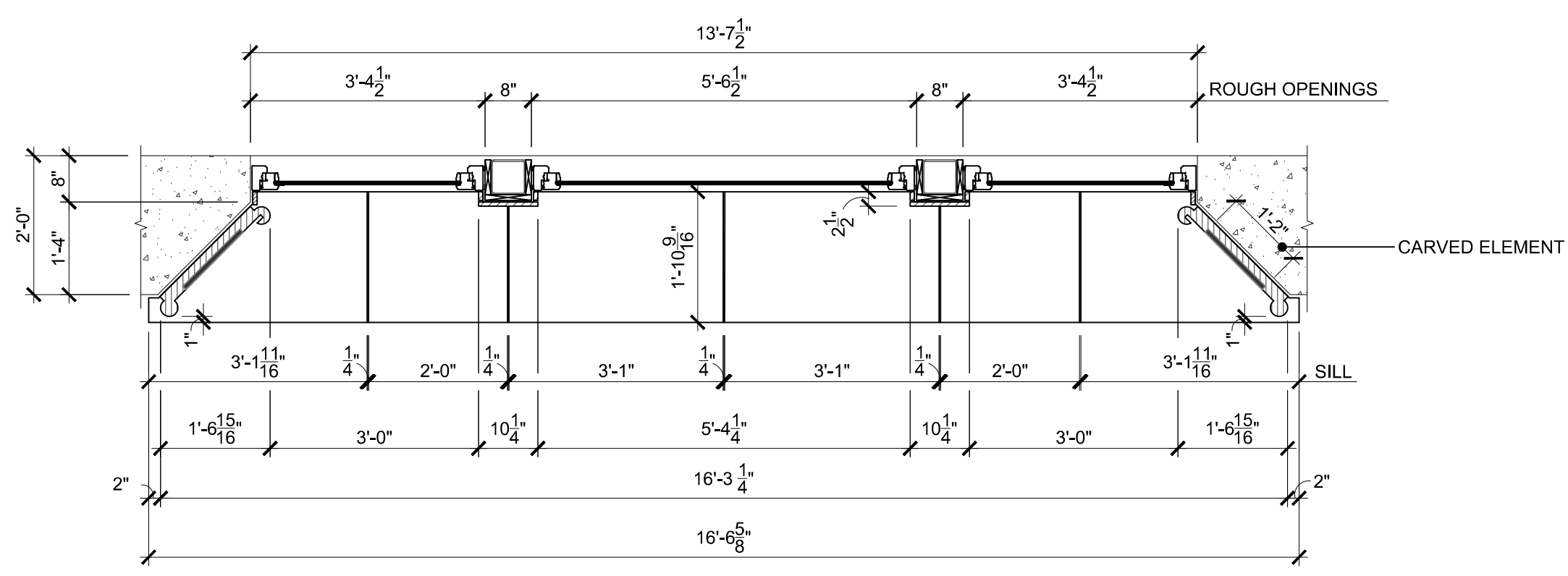


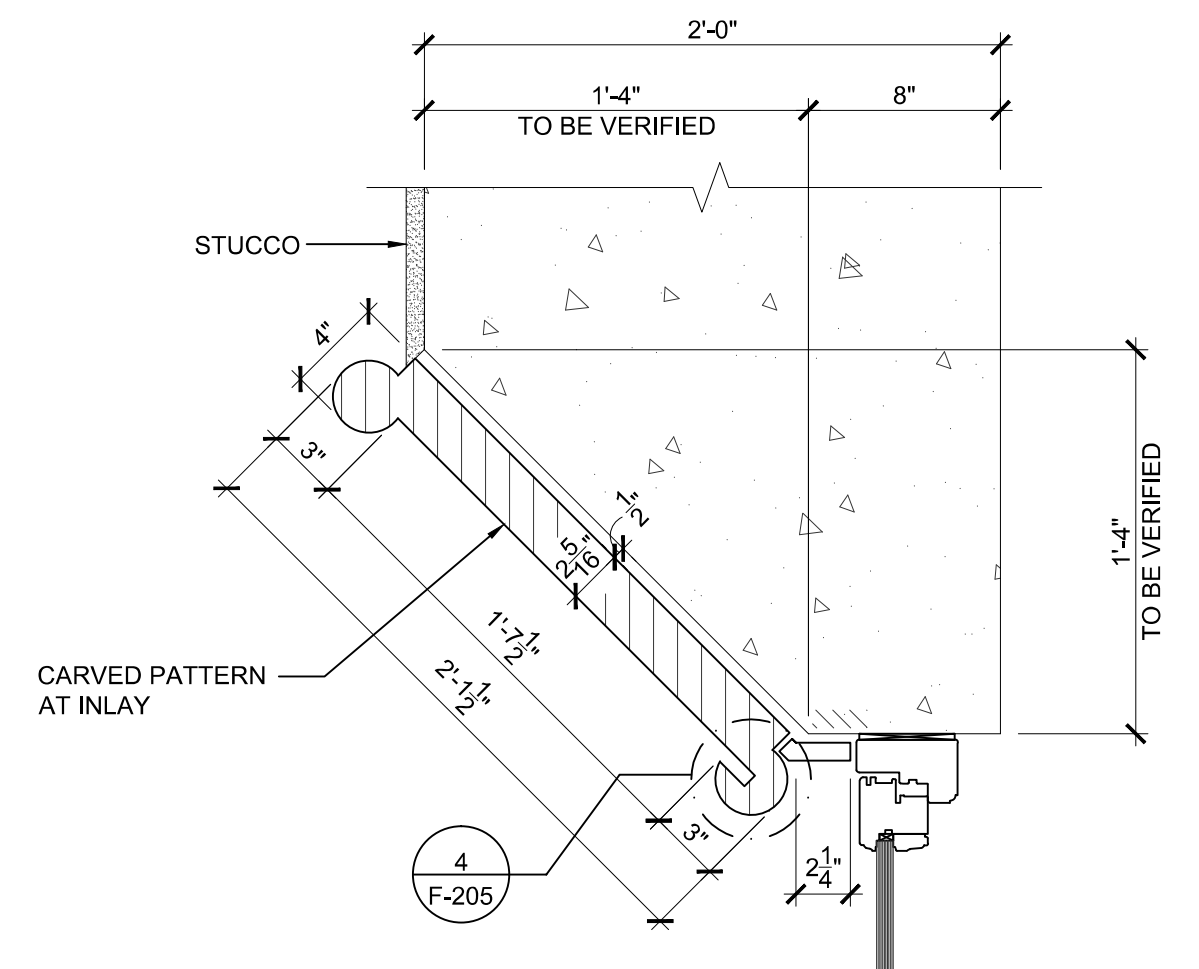
NOTE: ALL JOINTS ARE $\frac{1}{4}$ " U.N.O.



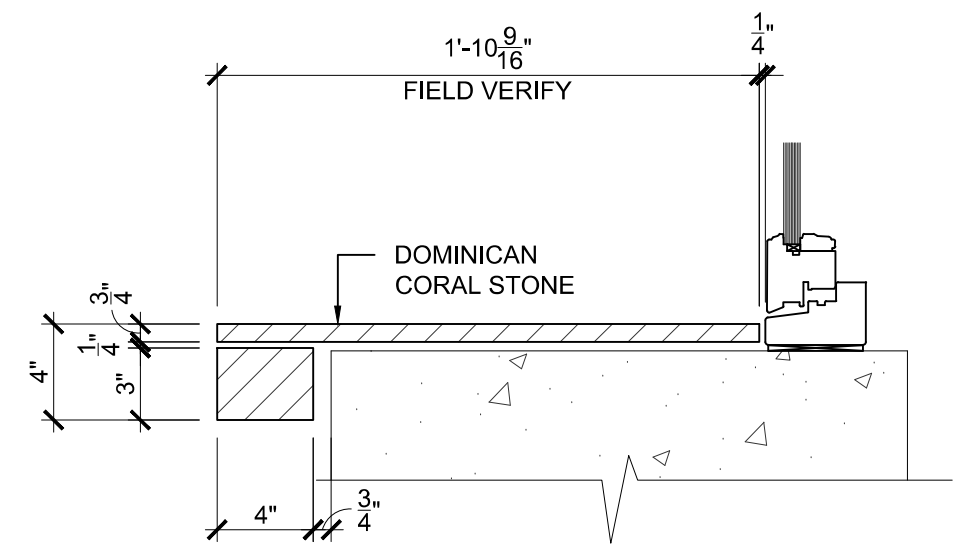
A ELEVATION AT WINDOW 22-24
F-205 SCALE: 1/2"=1'-0"



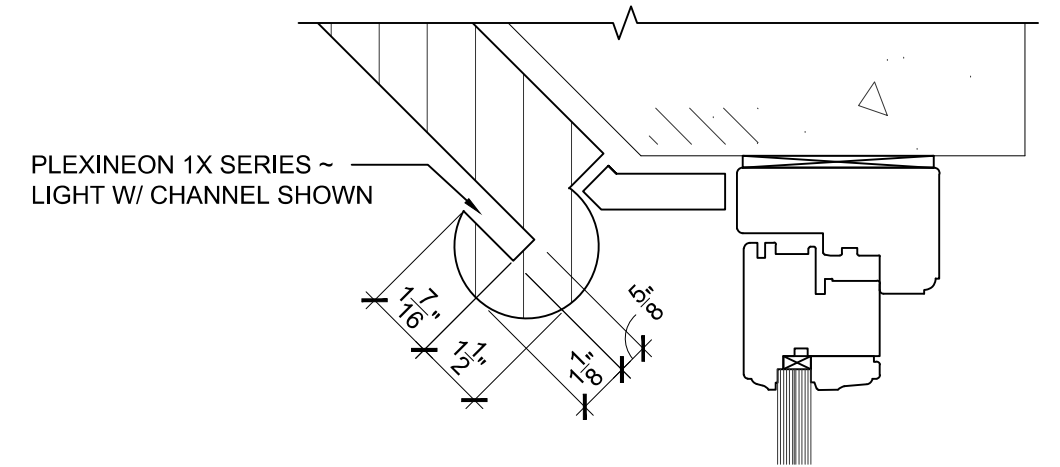
1 SECTION AT WINDOW 22-24
F-205 SCALE: 1/2"=1'-0"



2 SECTION AT WINDOW HEAD
F-205 SCALE: 1 1/2"=1'-0"



3 SECTION AT WINDOW SILL
F-205 SCALE: 1/2"=1'-0"



4 BLOW UP AT LIGHTING
F-205 SCALE: 3"=1'-0"