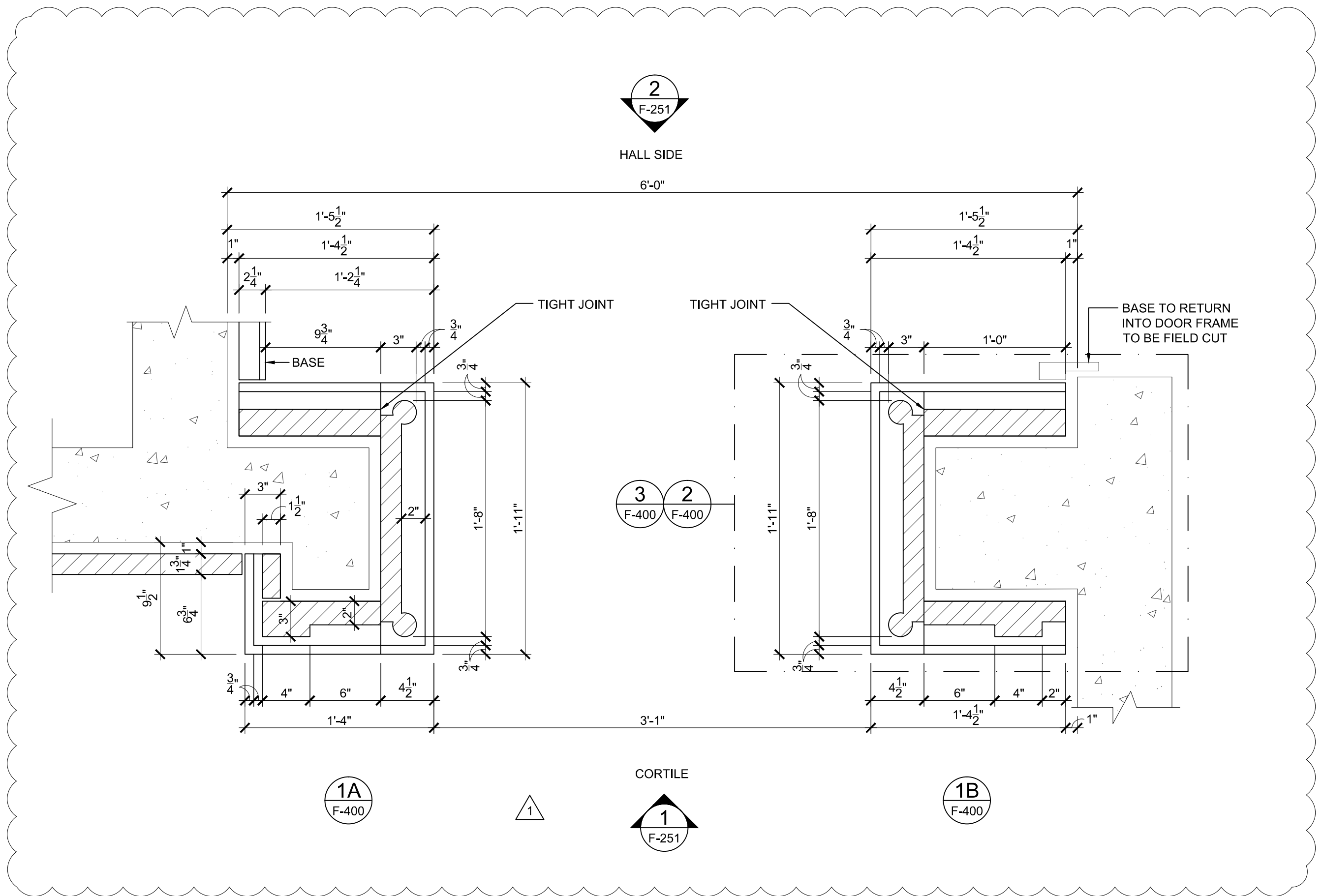
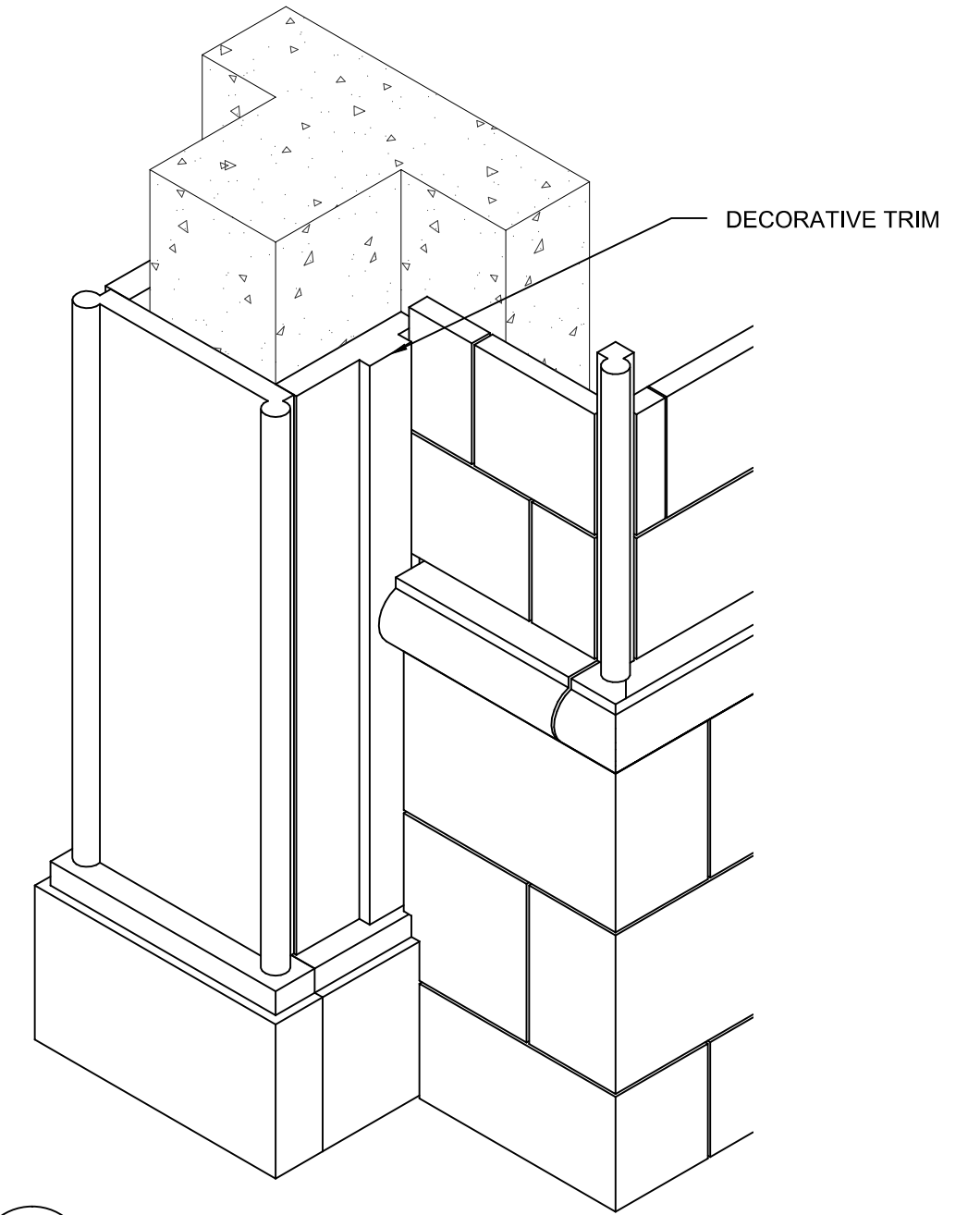


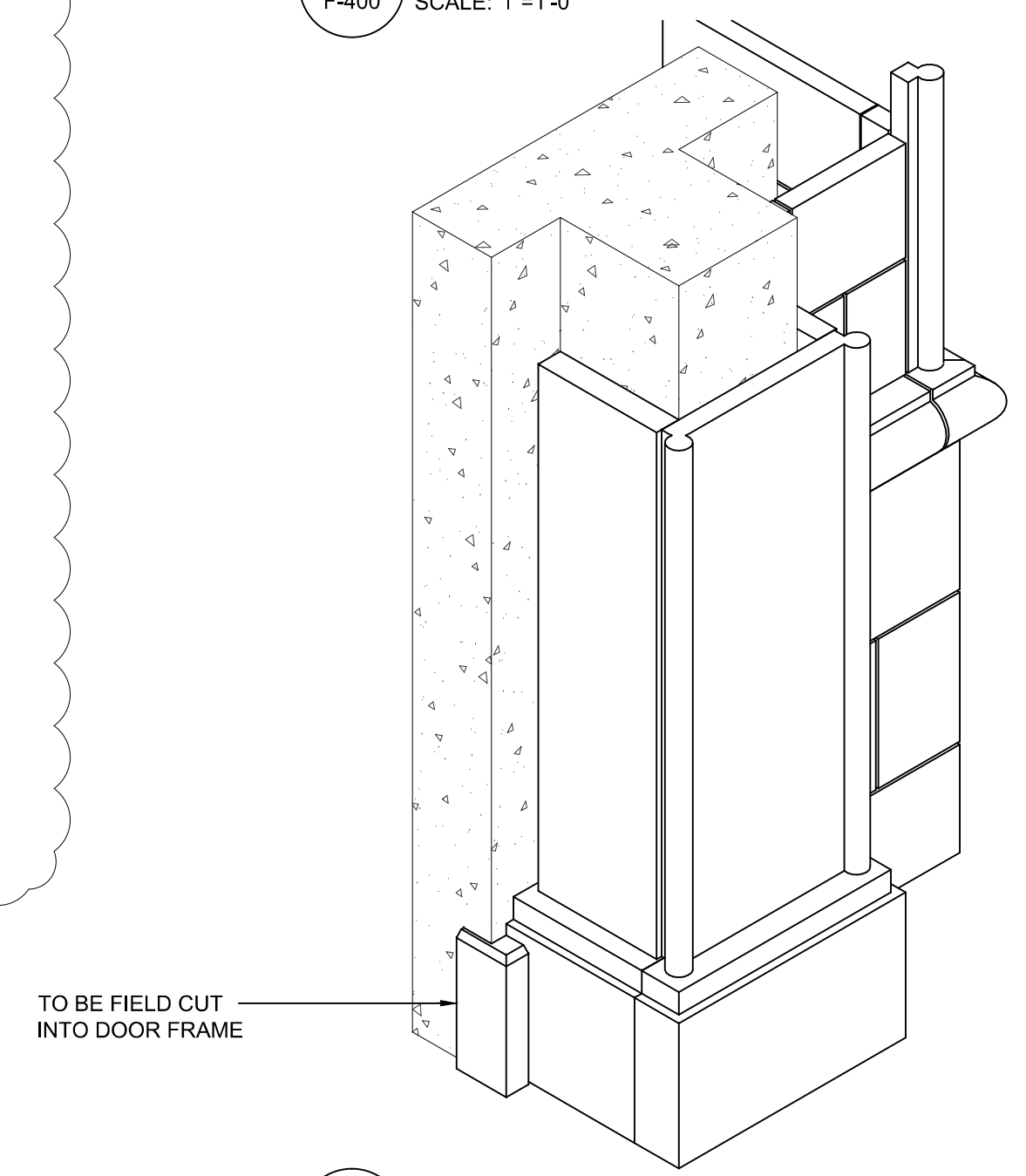
NOTE: ALL JOINTS ARE $\frac{1}{4}$ " U.N.O.



1 ENLARGED DOOR PLAN AT FAMILY PASSAGE (M41)
F-400 SCALE: 1 1/2"=1'-0"



2 3D VIEW OF DOOR FRAME (CORTILE)
F-400 SCALE: 1"=1'-0"



3 3D VIEW OF DOOR FRAME (HALL SIDE)
F-400 SCALE: 1"=1'-0"