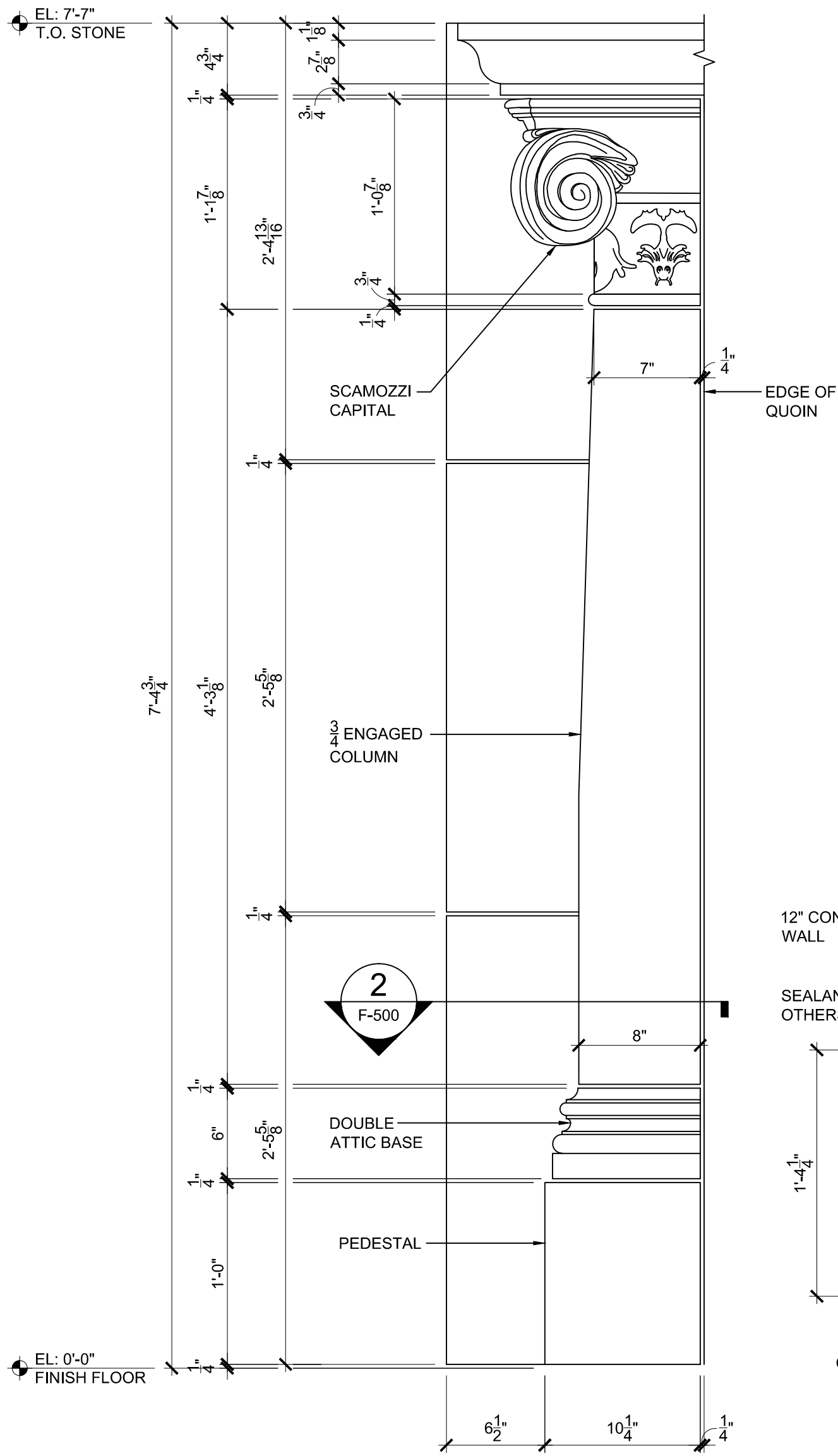
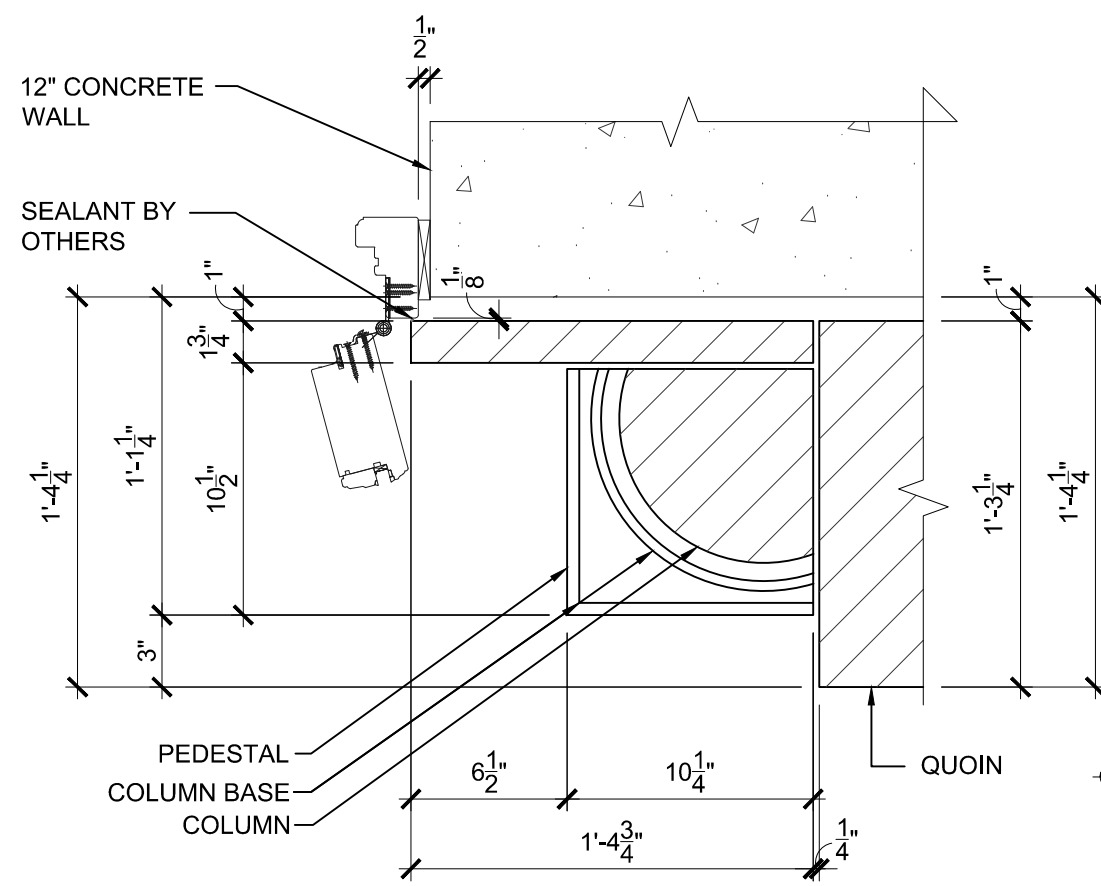


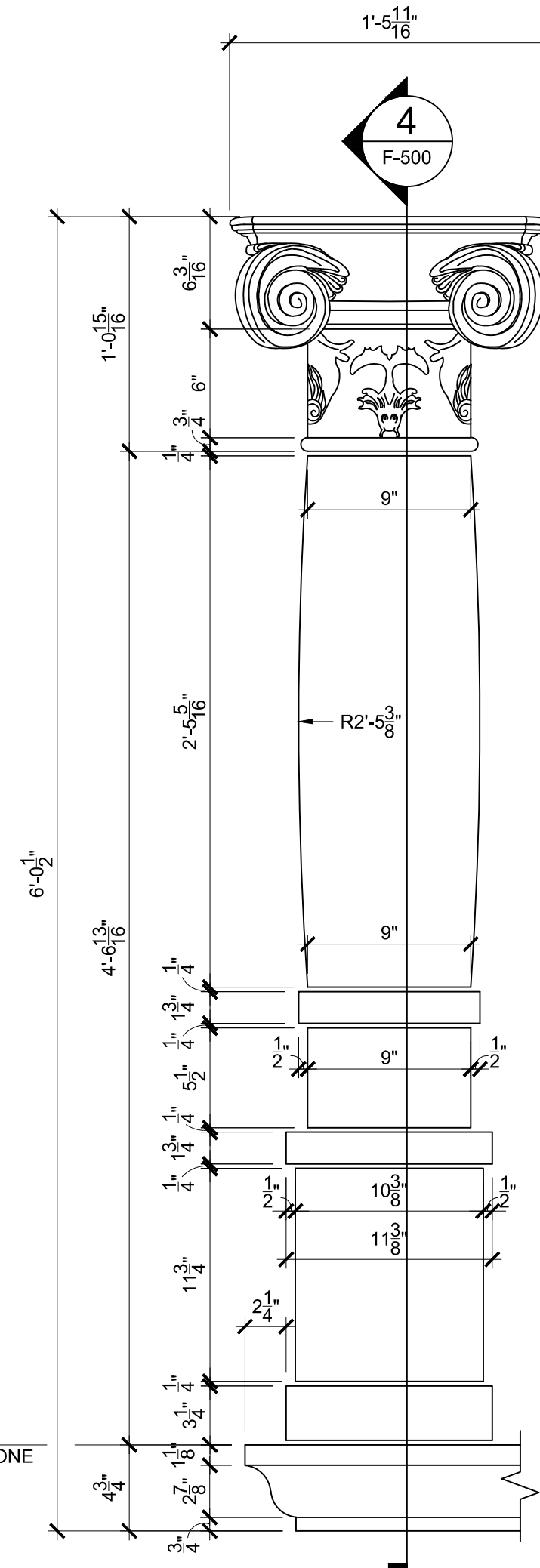
NOTE: ALL JOINTS ARE  $\frac{1}{4}$ " U.N.O.



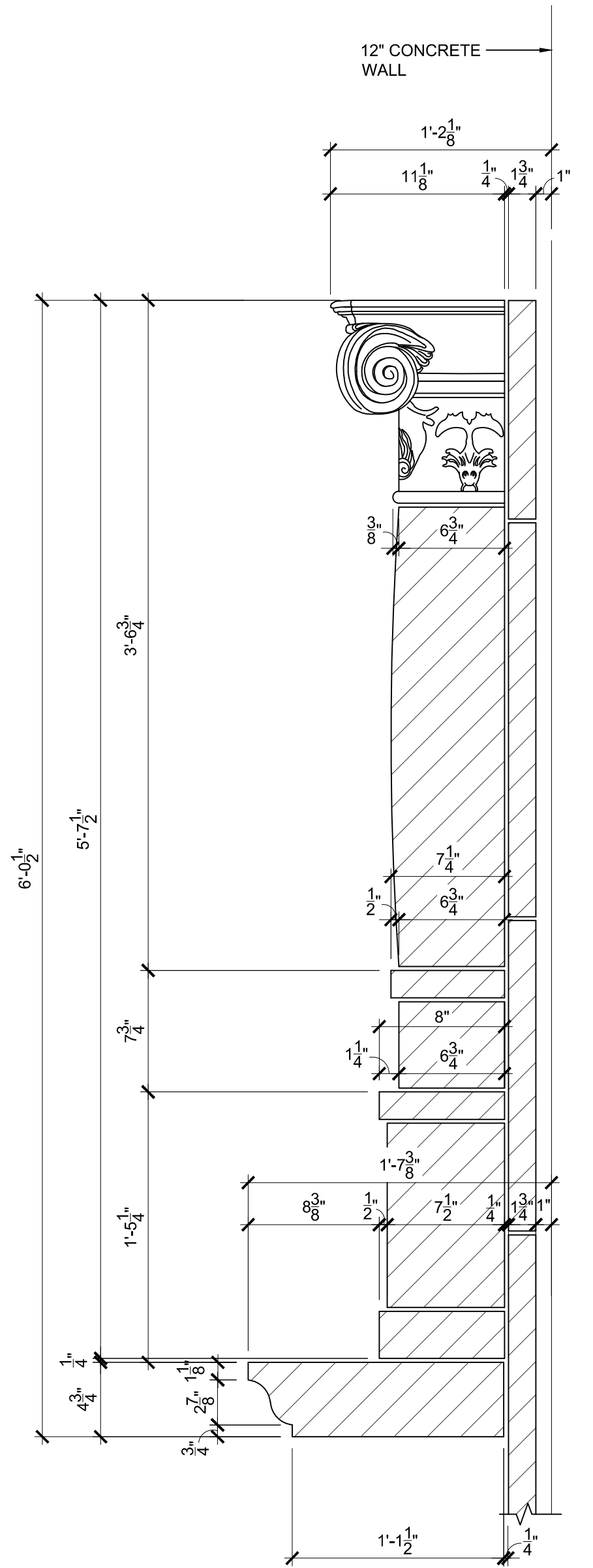
**1** ENLARGED LOWER COLUMN  
F-500 SCALE: 1 1/2"=1'-0"



**2** SECTION AT PEDESTAL  
F-500 SCALE: 1 1/2"=1'-0"



**3** ENLARGED UPPER COLUMN  
F-500 SCALE: 1 1/2"=1'-0"



**4** SECTION AT UPPER COLUMN  
F-500 SCALE: 1 1/2"=1'-0"