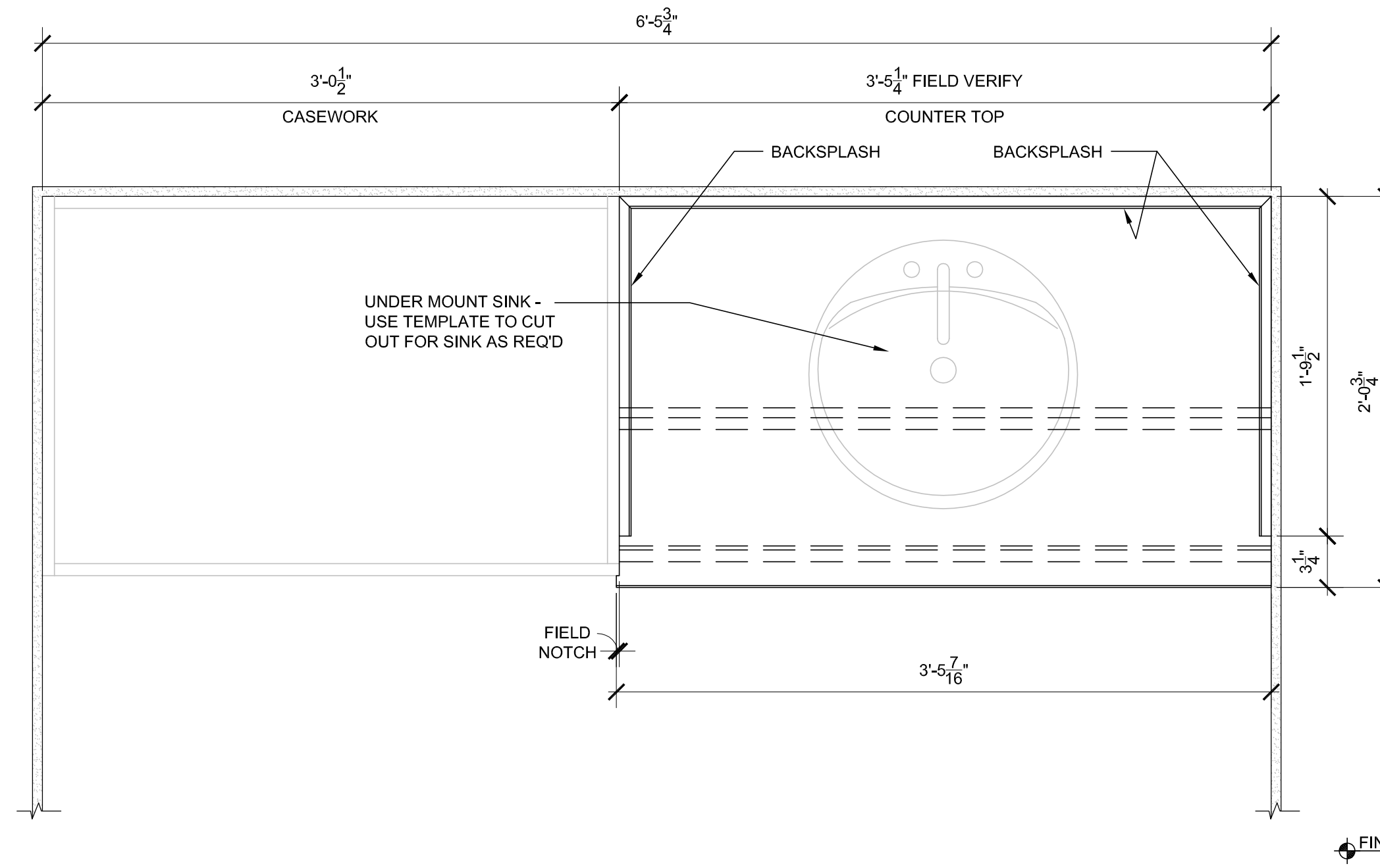
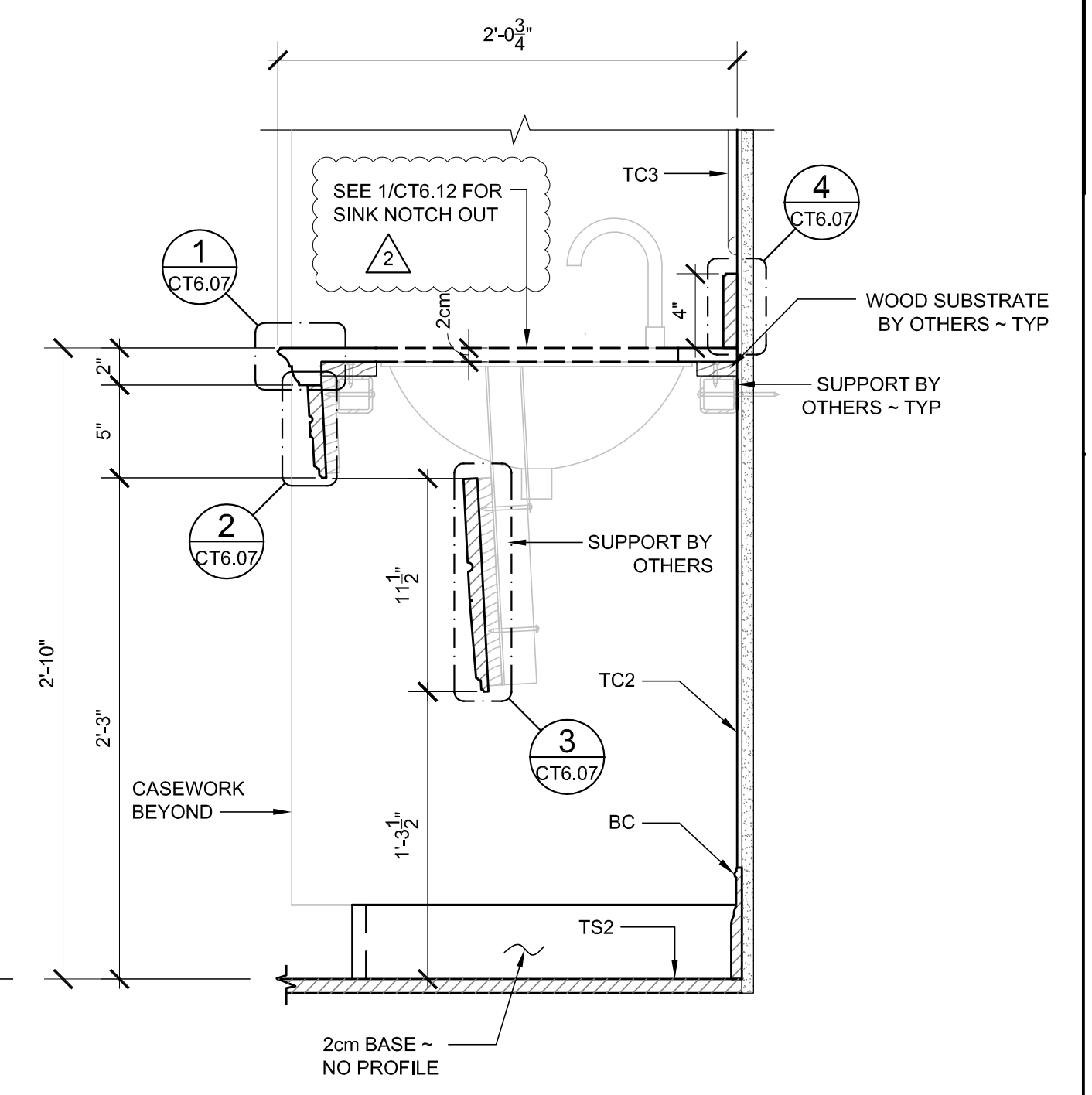


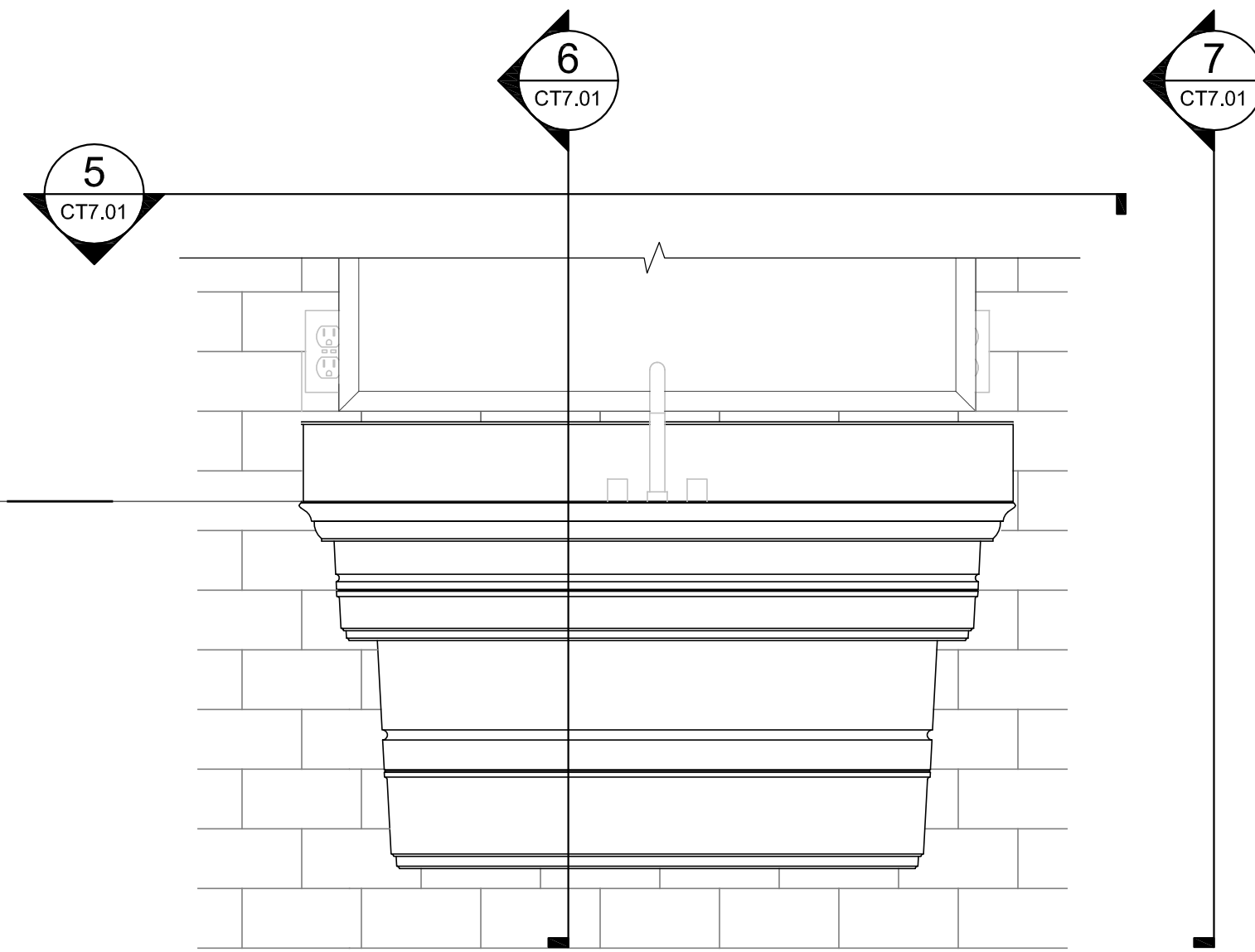
1 ELEVATION: COUNTER TOP ROOM 179
 CT7.01 SCALE: 1 1/2"=1'-0" REF: B5/A496



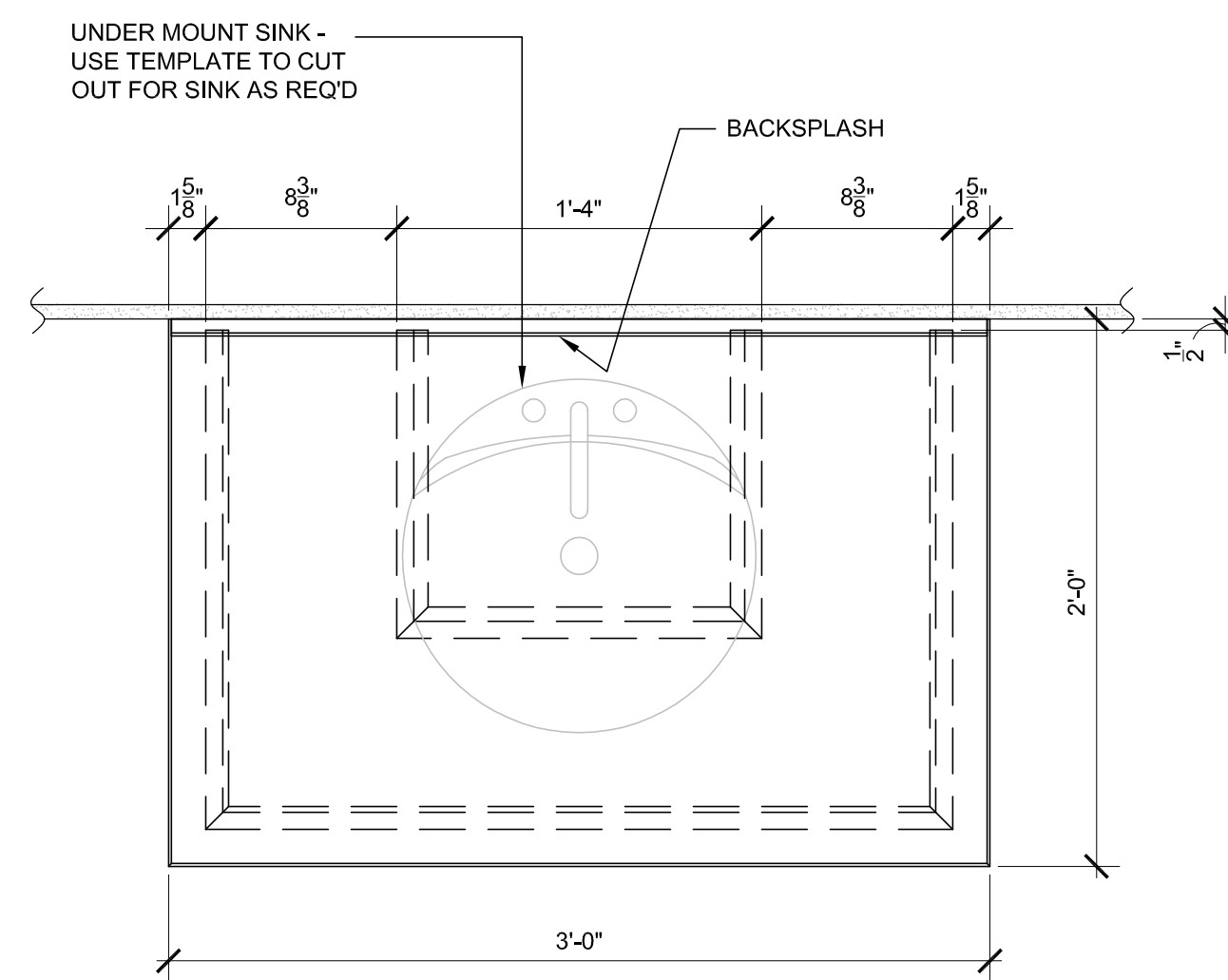
2 PLAN VIEW: COUNTER TOP ROOM 179
 CT7.01 SCALE: 1 1/2"=1'-0"



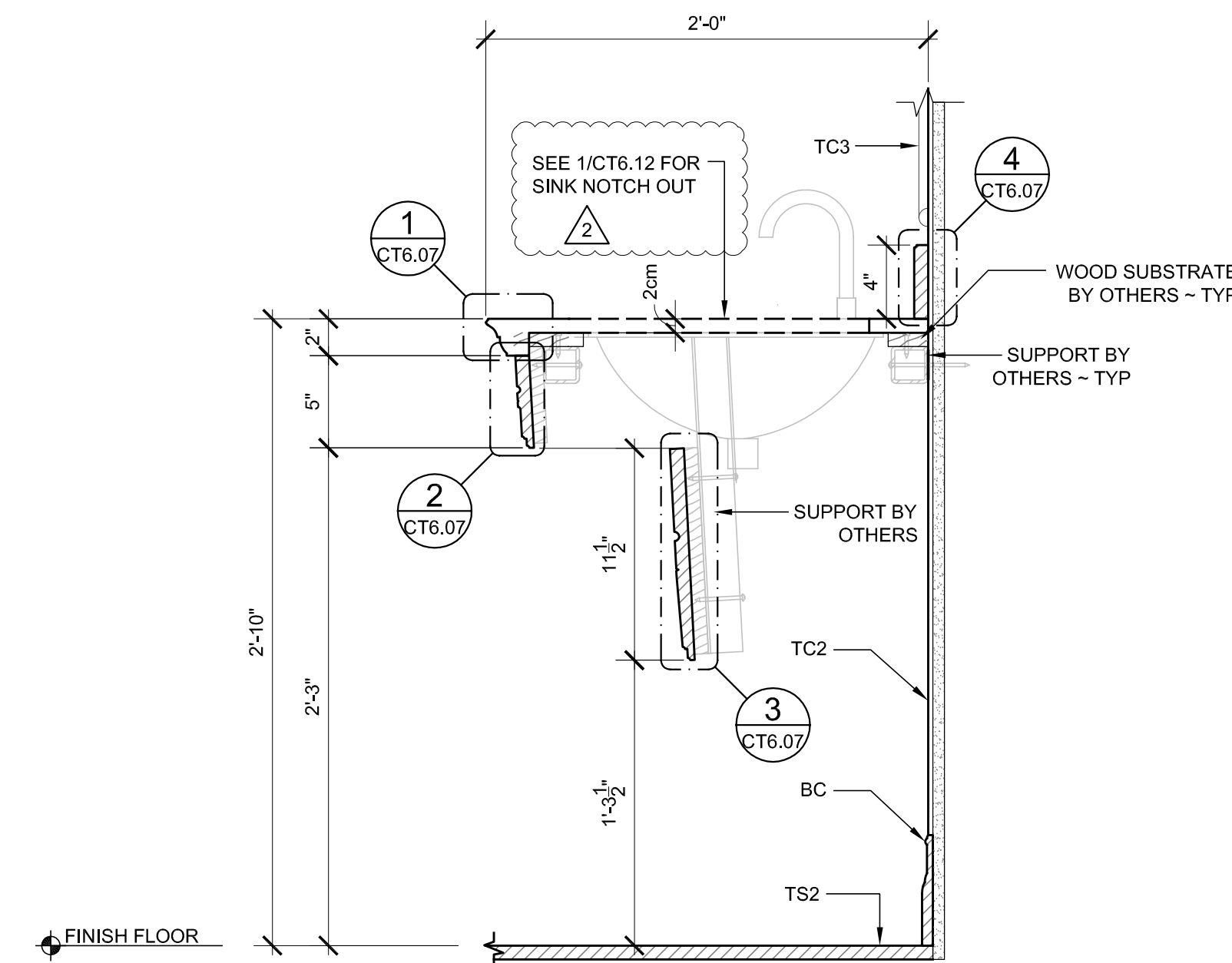
3 SECTION: COUNTER TOP ROOM 179
 CT7.01 SCALE: 1 1/2"=1'-0"



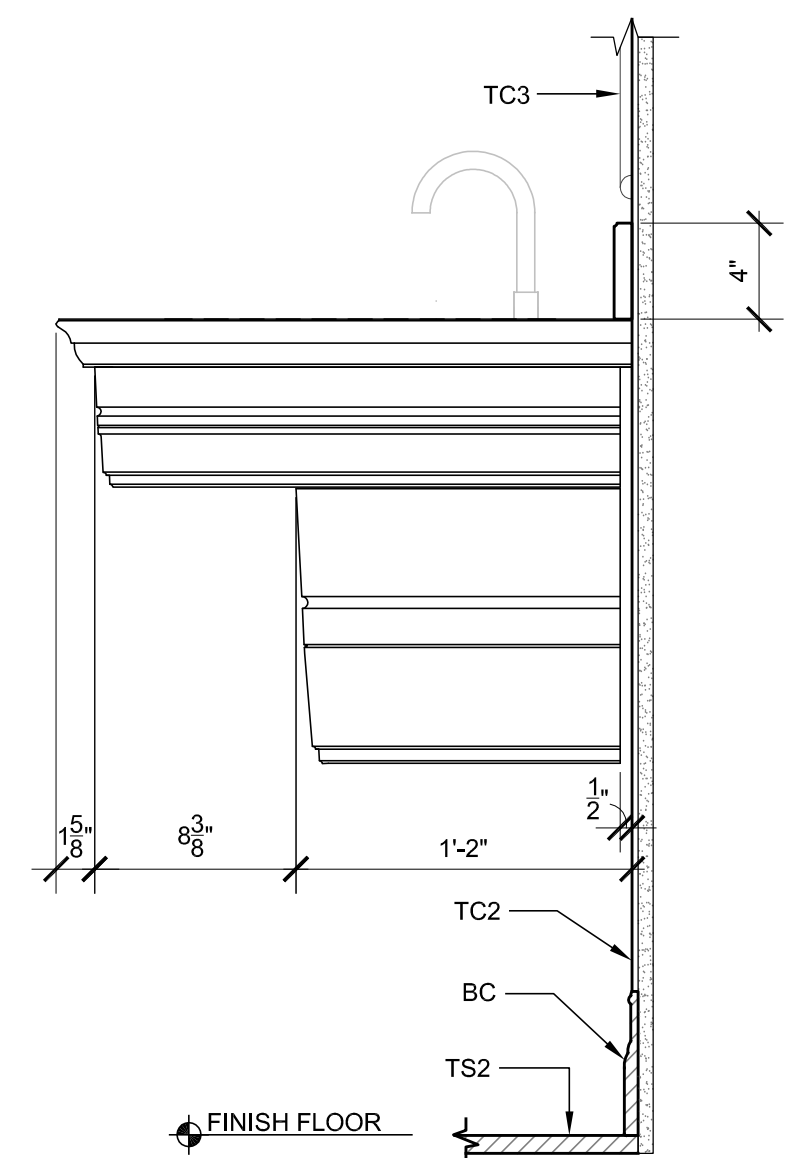
4 ELEVATION: COUNTER TOP ROOMS 154 & 176
 CT7.01 SCALE: 1 1/2"=1'-0" REF: B2/A496 - RM 176
 D4/A483 - RM 154



5 PLAN VIEW: COUNTER TOP ROOMS 154 & 176
 CT7.01 SCALE: 1 1/2"=1'-0"



6 SECTION: COUNTER TOP ROOMS 154 & 176
 CT7.01 SCALE: 1 1/2"=1'-0"



7 END VIEW: COUNTER TOP ROOMS 154 & 176
 CT7.01 SCALE: 1 1/2"=1'-0"