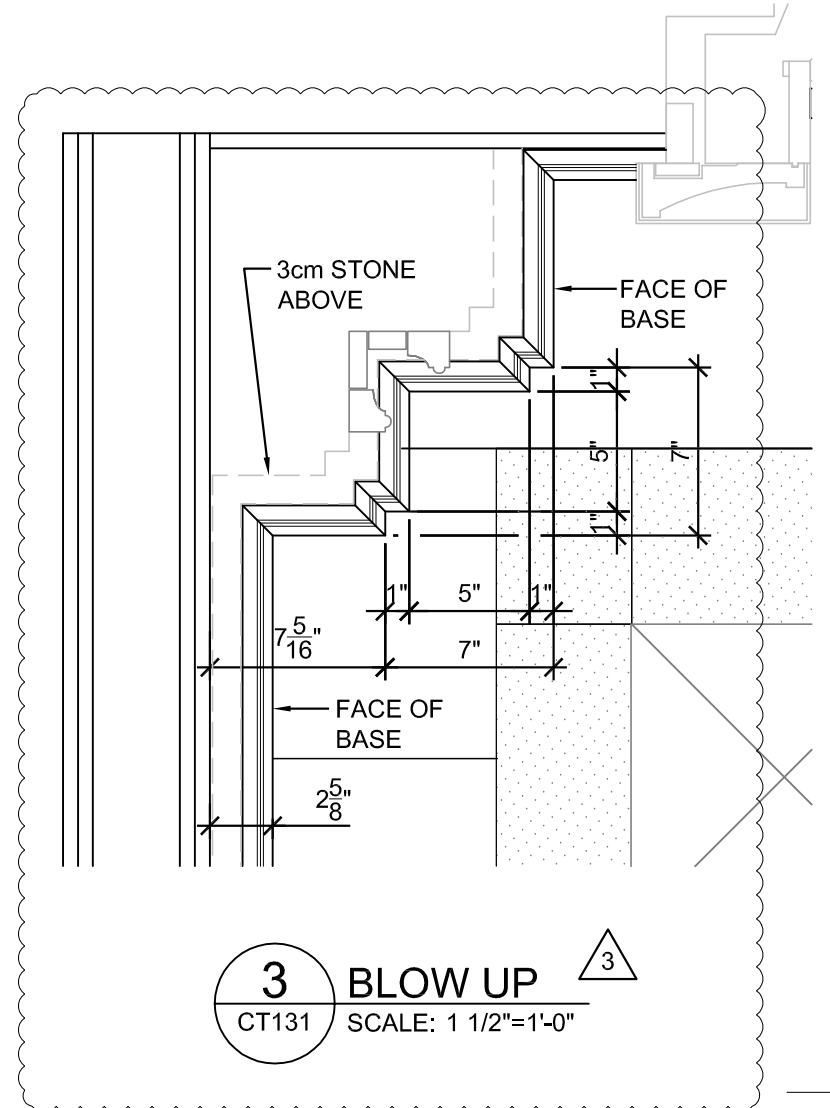


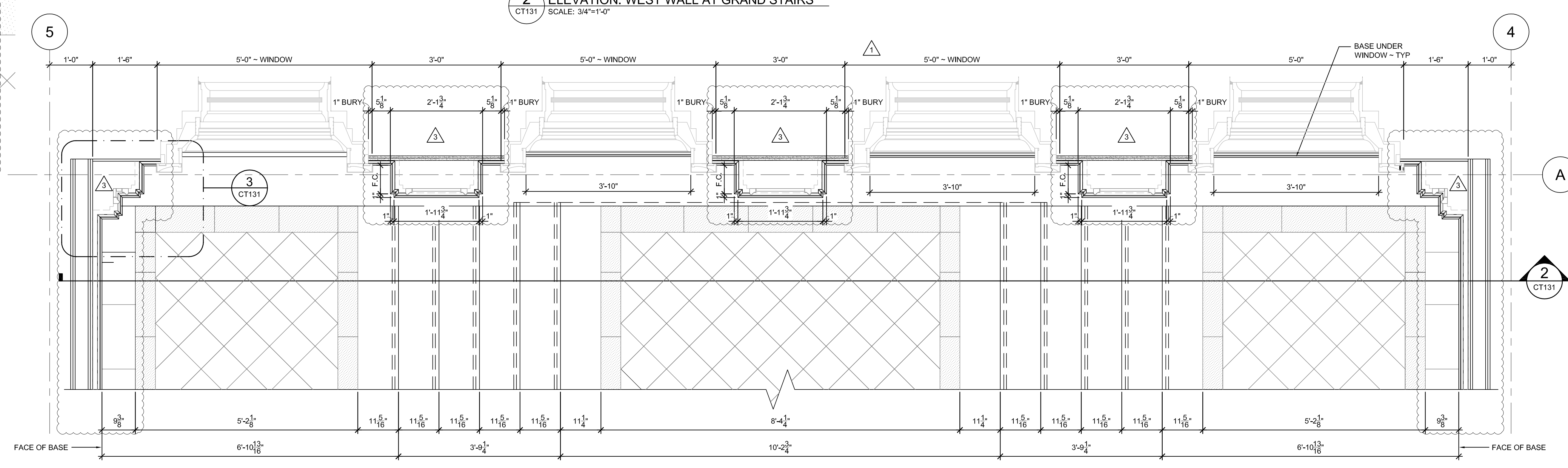
NOTE:
ALL STONE IS TIBERIUS GOLD U.N.O.



2 ELEVATION: WEST WALL AT GRAND STAIRS
CT131 SCALE: 3/4"=1'-0"



3 BLOW UP
CT131 SCALE: 1 1/2"=1'-0"



1 PARTIAL PLAN VIEW: GRAND STAIRS
CT131 SCALE: 3/4"=1'-0"

SUBMITTAL SET_20FEB13