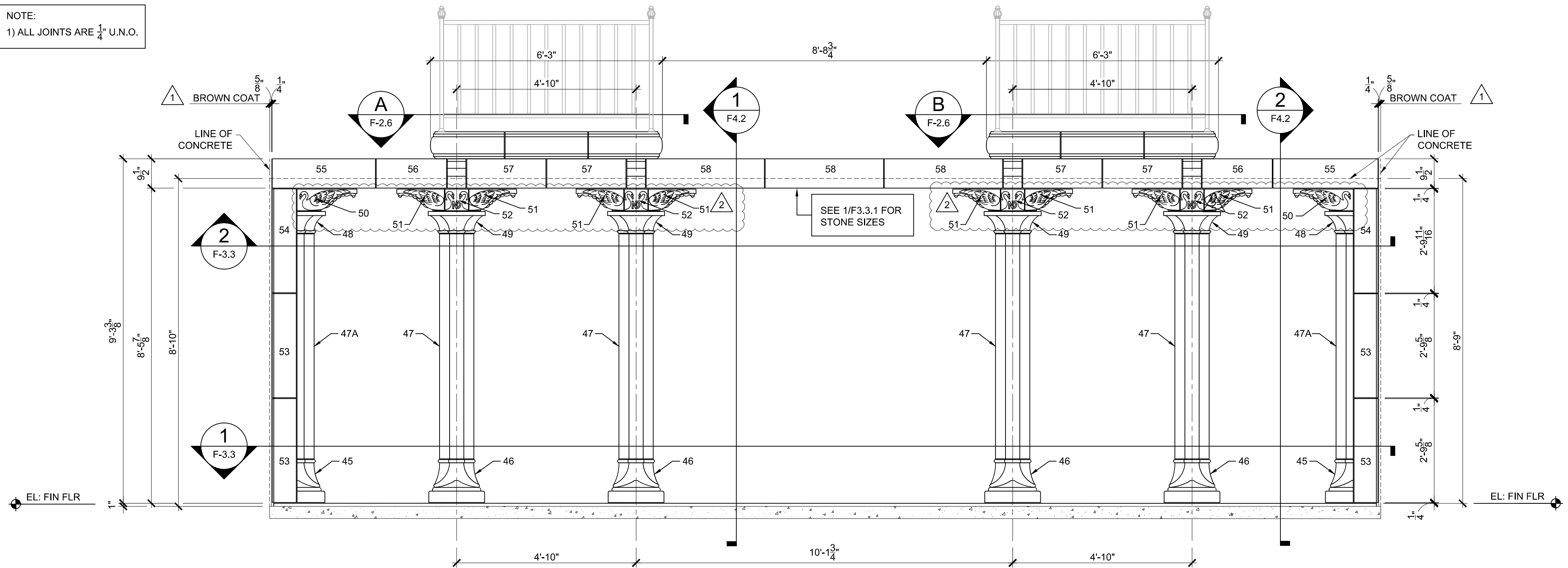
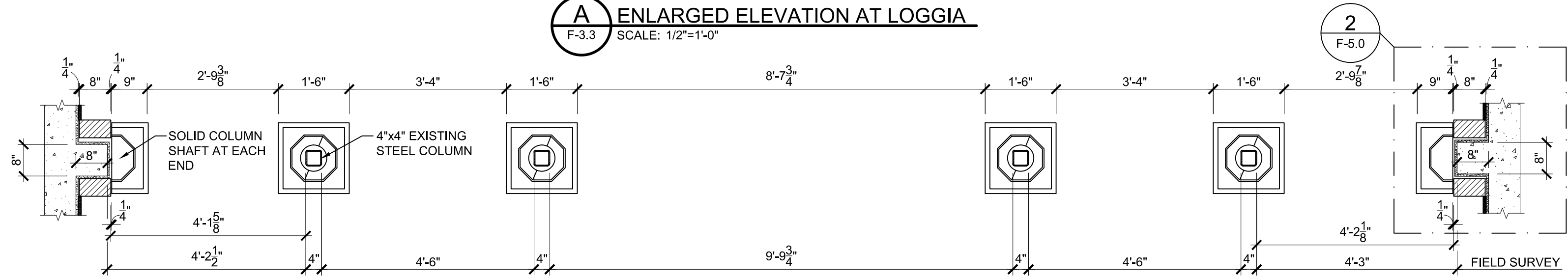


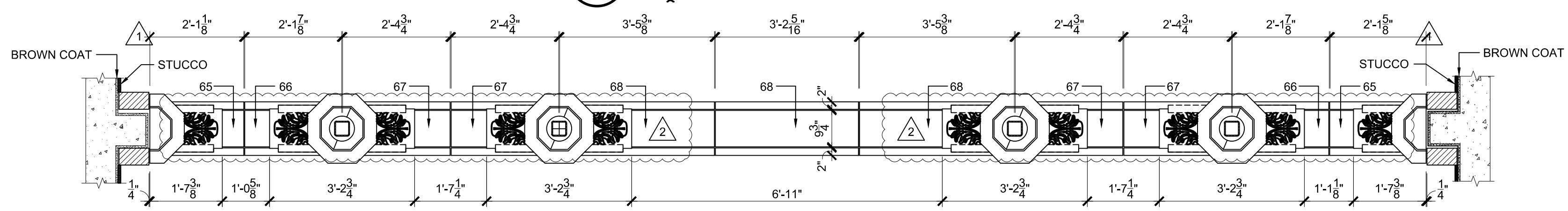
NOTE:
1) ALL JOINTS ARE $\frac{1}{4}$ " U.N.O.



A ENLARGED ELEVATION AT LOGGIA
F-3.3 SCALE: 1/2"=1'-0"



1 SECTION: COLUMN BASE LAYOUT
F-3.3 SCALE: 1/2"=1'-0"



2 SECTION: COLUMN CAPITAL LAYOUT
F-3.3 SCALE: 1/2"=1'-0"